

FEATURES

- All SS measuring system
- Socket-case, direct welded
- CE marked contacts
- Liquid filled versions

APPLICATION

- Pumps & motor controls
- Water treatment plants
- Hydraulic & pneumatics
- Chemical & petrochemicals
- Pharmaceutical industries
- HVAC & compressor industries
- Refrigeration

Dome Style



STANDARD PARAMETERS

Accuracy	: CL 1.0
Ambient temperature	: -40...+65°C (without dampening liquid) : -20...+65°C (with dampening liquid)
Service temperature	: 200°C max.
Pressure limits	: Steady pressure up to FS value : Fluctuating pressure up to 90% of FS value
Weld joints	: TIG argon arc welding

MATERIAL OF CONSTRUCTION

Sensing element	: Bourdon Tube (<100 bar : C - type , >100 bar : Helical)
Case & Ring material	: AISI 304 SS (Bayonet type)
Bourdon tube & Shank	: AISI 316L SS (Shank welded directly to case)
Movement mechanism	: AISI 304 SS
Dial	: Aluminum, black graduation on white background
Pointer	: Micro-zero adjustable, aluminum, black powder coated
Gaskets, Blow off disc & filling plug	: Neoprene
Window	: Polycarbonate dome

STANDARD SPECIFICATIONS

Dial size	: DN100 / DN150
Range	: -1...0...1,600 bar
Mounting pattern	: Direct, Bottom connection
Process connection	: 1/2" NPT (M)
Ingress protection	: IP 65
Execution	: Dry
Switch	: Make contact (1NO)
Electrical termination	: 4 pin PG 13.5 connector

STANDARD SPECIFICATIONS : DAMPENING LIQUID FILLED

Window	: Polycarbonate dome
Dampening liquid	: Dielectric oil
Gaskets, Blow off disc & filling plug	: Viton

TEMPERATURE EFFECT

When temperature of the measuring system deviates from reference temperature (+20°C) max error $\pm 0.4\%$ / 10K of true scale value.

NOTES

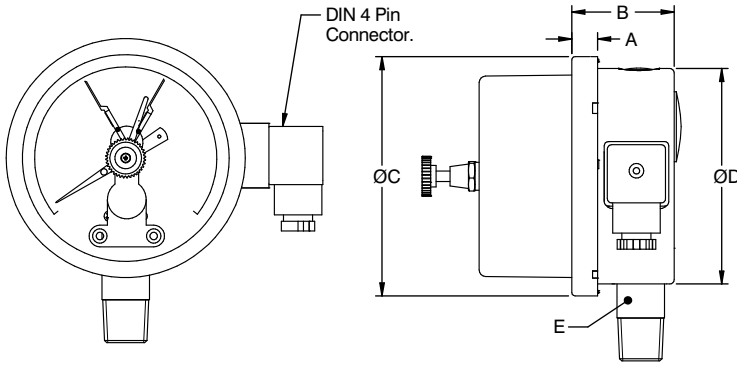
1. Gauge accuracy shall be CL 1.0. but switching accuracy shall be CL 5.0

REFERENCE

EN 837-1

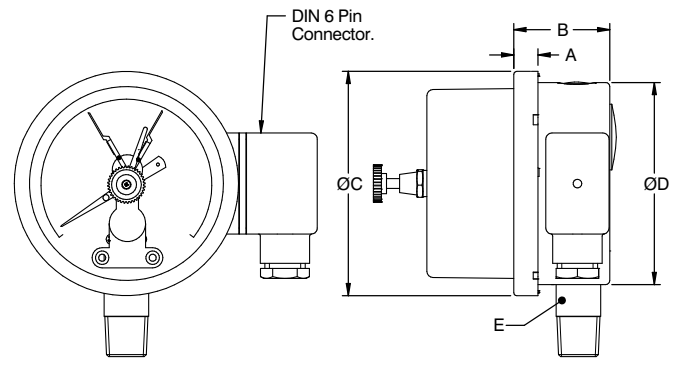
DIMENSIONAL DRAWING

Type B0



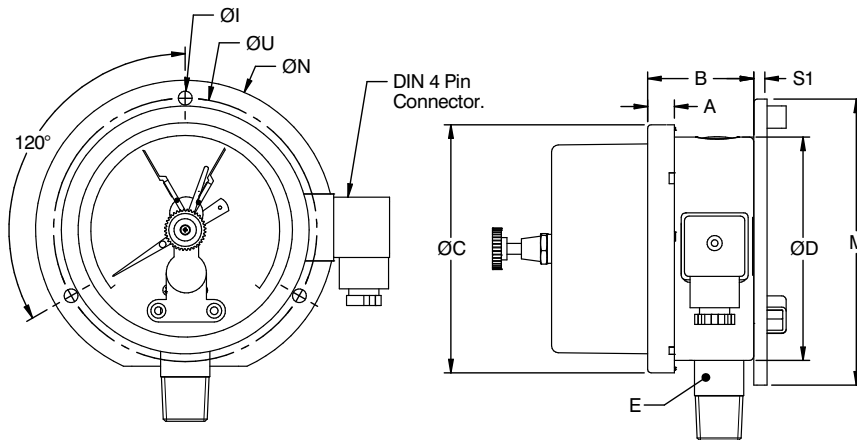
DN	A	B	ØC	ØD	E	Weight (grams)
100	12	48	111	100	SQ.22	580
150	15	48	161	149	SQ.22	980

Type B0



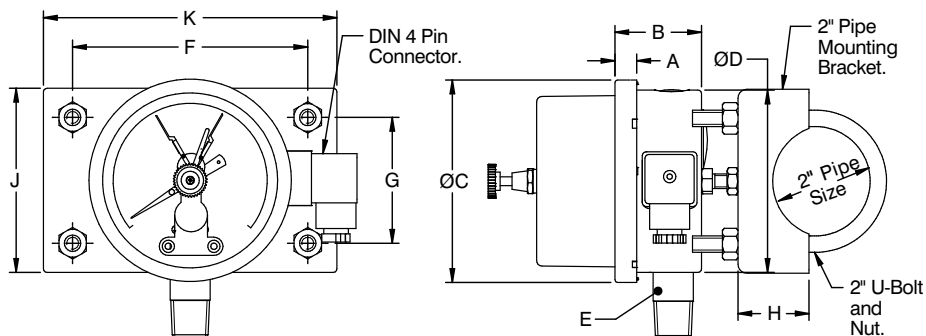
DN	A	B	ØC	ØD	E	Weight (grams)
100	12	48	111	100	SQ.22	590
150	15	48	161	149	SQ.22	990

Type B1



DN	A	B	ØC	ØD	E	ØI	M	ØN	S1	ØU	Weight (grams)
100	12	48	111	100	SQ.22	6	128	134	6	118	687
150	15	48	161	149	SQ.22	6	172.4	186	6	168	1080

Type B2

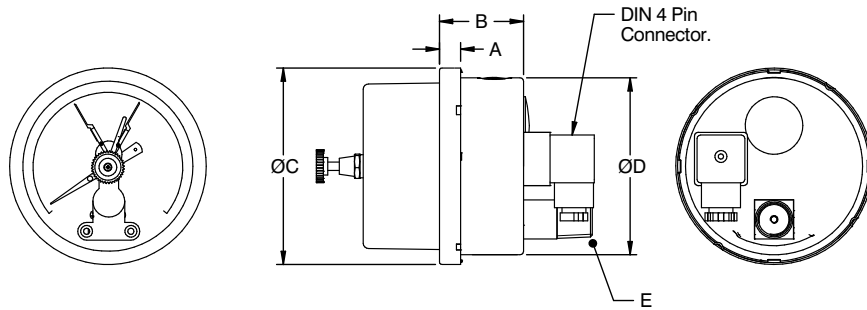


DN	A	B	ØC	ØD	E	F	G	H	J	K	Weight (grams)
100	12	48	111	100	SQ.22	129	69	39	101	161	1654
150	15	48	161	149	SQ.22	129	69	39	101	161	1994

All dimensions are in mm.

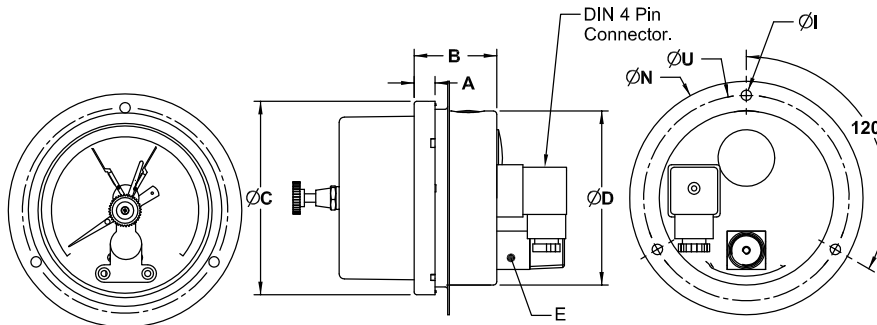
DIMENSIONAL DRAWING

Type L0



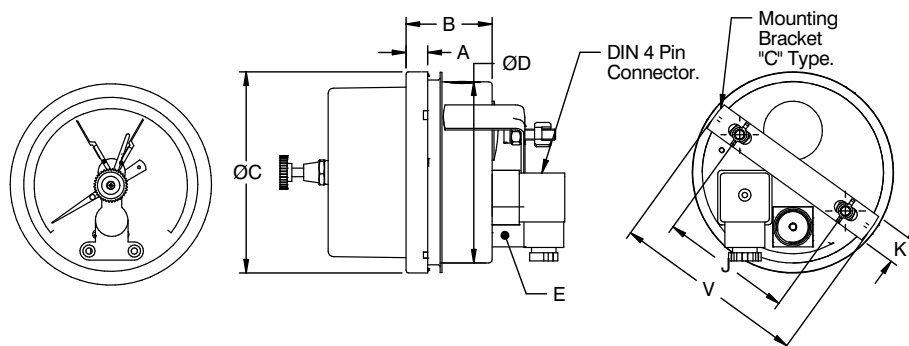
DN	A	B	ØC	ØD	E	Weight (grams)
100	12	48	111	100	SQ.22	580
150	15	48	161	149	SQ.22	980

Type L1



DN	A	B	ØC	ØD	E	ØI	ØN	ØU	Weight (grams)
100	12	48	111	100	SQ.22	6	134	118	654
150	15	48	161	149	SQ.22	6	186	168	1050

Type L2



DN	A	B	ØC	ØD	E	J	K	V	Weight (grams)
100	12	48	111	100	SQ.22	72	16	108	669
150	15	48	161	149	SQ.22	106.5	16	158.5	1070

All dimensions are in mm.

ORDERING CODES

1. DIAL SIZE		04	8. ELECTRIC CONTACT		CS1
04	100 mm / 4"	04	CS1	Break contact (1NC)	CS1
06	150 mm / 6"		CS2	Make contact (1NO)	
2. RANGE		XXX	CS3	2 x Break contact (2NC)	
XXX	Refer "Range Table"		CS4	2 x Make contact (2NO)	
3. MOUNTING PATTERN		B0	CS5	1 Break + 1 Make (1NC+1NO)	
B0	Direct, Bottom connection		CS6	1 Make + 1 Break (1NO+1NC)	
B1	Wall/Surface/Projection mounting, Bottom connection		CD1	Break contact (1NC)	
B2	2" Pipe/Yoke mounting, Bottom connection		CD2	Make contact (1NO)	
L0	Lower, Back connection		CD3	2 x Break contact (2NC)	
L1	Panel/Front flange mounting, Lower Back connection		CD4	2 x Make contact (2NO)	
L2	Panel/bracket mounting, Lower Back connection		CD5	1 Break + 1 Make (1NC+1NO)	
4. PROCESS CONNECTION		14N	CD6	1 Make + 1 Break (1NO+1NC)	
12B	1/4" BSP (M)		CD7	SPDT	
12N	1/4" NPT (M)		CD8	DPDT	
13B	3/8" BSP (M)		CI1	Break contact (1NC)	
14B	1/2" BSP (M)		CI2	Make contact (1NO)	
14M	M20 X 1.5 mm (M)	14N	CI3	2 x Break contact (2NC)	
14N	1/2" NPT (M)		CI4	2 x Make contact (2NO)	
5. INGRESS PROTECTION			ER	CI5	1 Break + 1 Make (1NC+1NO)
ER	IP 65			CI6	1 Make + 1 Break (1NO+1NC)
6. EXECUTION			EA	CI9	Booster relay for current up to 5A
EA	Dry	9. OTHER OPTIONS		XX	
EF	Dry but fillable, dielectric oil ⁴	BA	Case & Ring in AISI 316 SS (B0)		
EK	Dampening liquid, dielectric oil ⁴	BB	Case & Ring in AISI 316 SS (B1)		
7. SWITCH CATEGORY		RR	BC		Case & Ring in AISI 316 SS (B2)
RR	Economic contacts		BK		Case & Ring in AISI 316 SS (L0)
RS	Precision contacts		BL		Case & Ring in AISI 316 SS (L1)
RT	ATEX / CE approved contacts	RR	BM		Case & Ring in AISI 316 SS (L2)
			EN		Dampening screw, AISI 316 SS
			GL		AISI 316 SS movement
			GM		Dampened movement
			XF		SS tag plate, AISI 304 SS
			XG		SS tag plate, AISI 316 SS
			XR		Custom designed dial
			XT		Dial tag marking
			TA		5 - point calibration certificate
			TC		Material test certificate 3.1
			TE	CE certificate	
		TM	Material test certificate 2.2		
		TN	Tested to NACE standards		
		TO	Certification for Oxygen service		
		RA	Rubber parts, Viton		
		RN	Rubber parts, NBR		
		G6	6 pin, M20x1.5mm connector		

Ordering Example : P501-04-XXX-B0-14N-ER-EA-RR-CS1-XX

NOTES

- For other connections, please contact factory.
- Economic contacts & Precision contact are available in Electric contact types CS1...CS6 & CD1...CD6 respectively.
- ATEX / CE approved contacts are available in Electric contact type CI1...CI6.
- Rubber parts shall be in Viton.