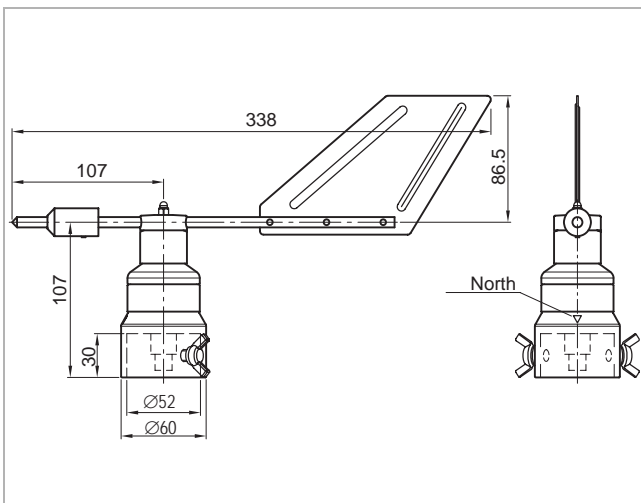


INT30 H[®] Wind direction sensor

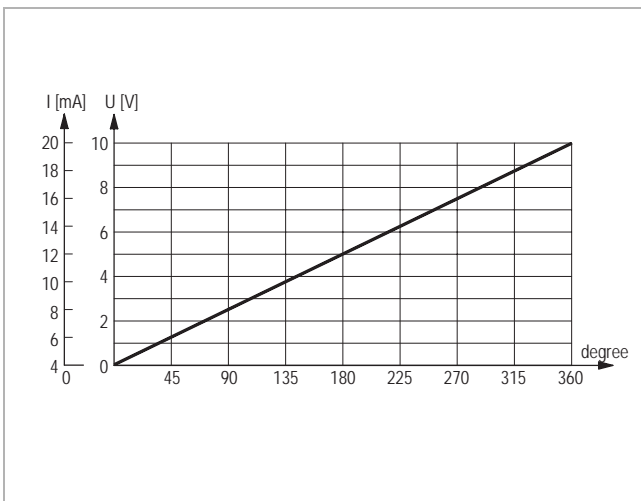
INT30 H[®]



INT30 H mast mounting



Dimensions in mm



Characteristic line

Application

KRIWAN wind direction sensors of the Hydro series are employed everywhere where the requirement profile does not necessarily require the implementation of highest-quality sensors and where you can fall back on the reliable properties of the KRIWAN wind sensors at the same time.

Areas of application are for instance the wind recording in:

- Meteorology
- Building technology
- Hydrology
- Photovoltaic
- Fire brigade equipment

Functional description

The KRIWAN-Wind direction sensor INT30 H records the current wind direction and converts it without contacting it into a linear output signal. The sensor is designed to withstand storms and weather. The evaluation is carried out separately with a measuring device, a display instrument or in the connected control and monitoring system.

The following features characterise this KRIWAN wind direction sensor:

- Robust and reliable design
- Low starting torques at high load capacity
- Outstanding precision
- Wear-free recording of measurement data
- Simple installation
- Wide temperature range
- Integrated overvoltage protection
- UL / CSA - approval
- Maintenance free



The unit must be connected by trained electrical personnel. All valid European and national standards for connecting electrical equipment must be observed. To avoid any consequential damage or operational failure, through direct or indirect excitation in the event of lightning strikes, we recommend that a separate lightning protection device be fitted by the customer.

Order data

INT30 H wind direction <1°; 4-20mA Mast mounting; plug	13 N 520
INT30 H wind direction <1°; 0-10V Mast mounting; plug	13 N 530

Spare parts

Wind vane	02 Z 123 S21
Self-locking cap nut M4	HM04009400
Serrated washer J4.3	HX04305600
Hexagon nut M27x1.5	HM27002400
Serrated washer J28	HX28014600
Plug spring, 5-pin, M12x1	FA04106

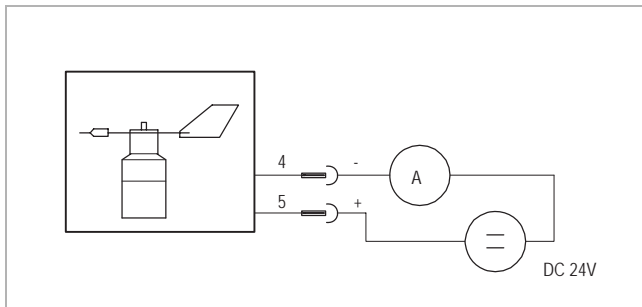
Accessories

Adapter for central mounting (Adapter, serrated washer, hexagon nut M27)	02 Z 165
---	-----------------

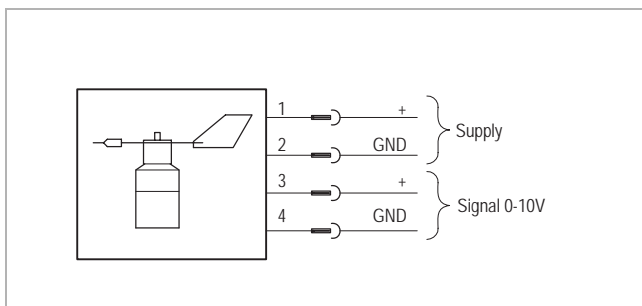
Technical changes reserved

INT30 H[®] Wind direction sensor

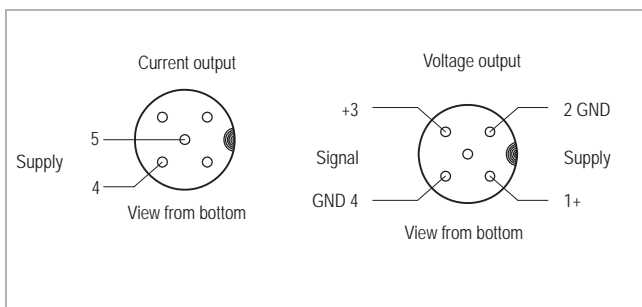
INT30 H[®]



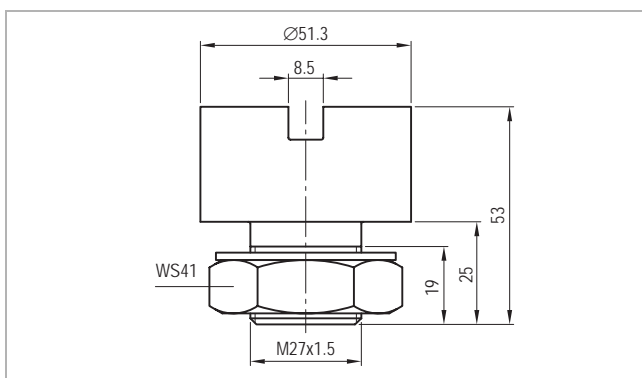
Wiring diagram



Wiring diagram



Pin allotment



Adapter Dimensions in mm

Technical specifications

Measuring principle	Noncontact, magnetic scanner
Measuring range	0-360°
Accuracy	±2.5°
Resolution	< 1°
Start-up speed	< 0.5m/s ($\vartheta_U = 20^\circ\text{C}$)
Supply	DC 24V ±25% max. 21mA (output 4-20mA) max. 10mA (output 0-10V) reverse-polarity protection
Signal output	DC 4-20mA resp. DC 0-10V (see order data)
Signal availability	Max. 2.5s (from voltage-free state)
Load resistor	≥ 10kOhm (output 0-10V)
Load resistor = cable + load resistor	$R_{\text{Load}} \leq (U_{\text{min.}} - 9)/0.02 [\Omega]$ $U_{\text{min.}} = \text{min. supply voltage}$ (output 4-20mA)
Connection type	Plug M12
Permitted ambient temperature	-20...+70°C Snow and ice free sensor required.
Permitted rel. humidity	0-100% r.h.
Strength	For wind speed of 60m/s (max. 30min)
Protection class based on EN 60529	IP54 for intended use sensor mounting
Mounting	Steel tube mast max. $\varnothing_{\text{exterior}}$ 50mm min. $\varnothing_{\text{interior}}$ 37mm
Dimensions	Refer to dimensions in mm
Housing material	Aluminium
Wind vane	Aluminium, brass nickel plated
Corrosion resistance	Seawater-resistant alloy
Weight	Approx. 450g
Check base	EN 61000-6-2 EN 61000-6-3 EN 61010-1
Approval	UL File No. N.N.

Technical changes reserved