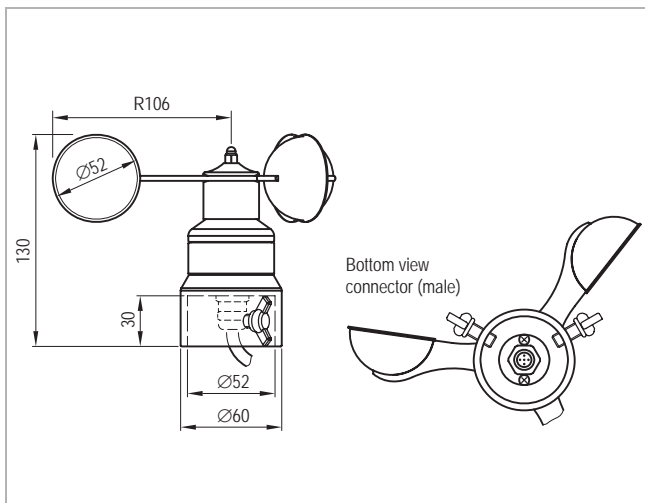


INT10 H[®] Anemometer

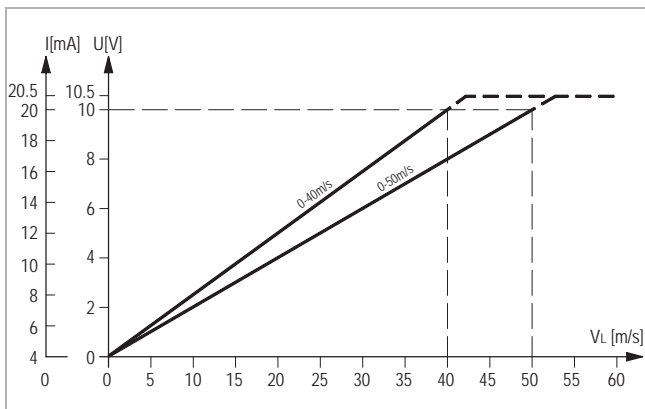
INT10 H[®]



INT10 H mast mounting



Dimensions in mm



Characteristic line

Application

KRIWAN anemometers of the Hydro series are employed everywhere where the requirement profile does not necessarily require the implementation of highest-quality sensors and where you can fall back on the reliable properties of the KRIWAN wind sensors at the same time.

Areas of application are for instance the wind recording in:

- Meteorology
- Building technology
- Hydrology
- Photovoltaic
- Fire brigade equipment

Functional description

The KRIWAN-Anemometer INT10 H anemometer records the current wind speed and converts it into a linear output signal without contact. The sensor is storm-proof and weather-proof. The evaluation is then carried out separately with a measuring device, a display instrument or in the connected control and monitoring system.

This KRIWAN anemometer excel on account of the following features:

- Robust and reliable design
- Low starting torques at high load capacity
- Outstanding precision
- Wear-free recording of measurement data
- Simple installation
- Wide temperature range
- Integrated overvoltage protection
- UL / CSA - approval
- Maintenance free



The unit must be connected by trained electrical personnel. All valid European and national standards for connecting electrical equipment must be observed. To avoid any consequential damage or operational failure, through direct or indirect excitation in the event of lightning strikes, we recommend that a separate lightning protection device be fitted by the customer.

Order data

INT10 H Anemometer 0-40m/s; 4-20mA Mast mounting; plug	13 N 500
INT10 H Anemometer 0-50m/s; 4-20mA Mast mounting; plug	13 N 500 S21
INT10 H Anemometer 0-40m/s; 0-10V Mast mounting; plug	13 N 510
INT10 H Anemometer 0-50m/s; 0-10V Mast mounting; plug	13 N 510 S21

Spare parts

Spare parts package cup anemometer H (cup anemometer, cap nut, serrated washer)	02 Z 160 S21
Hexagon nut M27x1.5	HM27002400
Serrated washer J28	HX28014600
Plug spring, 5-pin, M12x1	FA04106

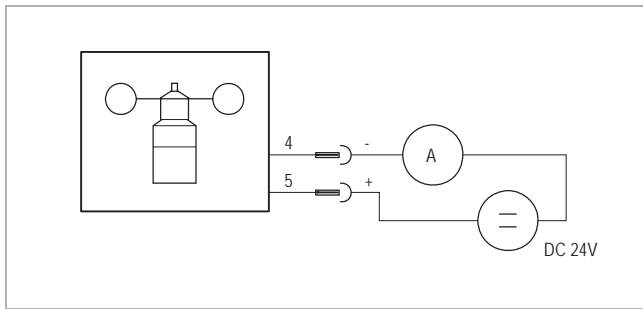
Accessories

Adapter for central mounting (Adapter, serrated washer, hexagon nut M27)	02 Z 165
---	-----------------

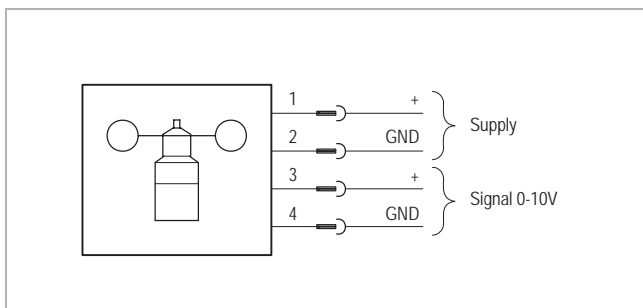
Technical changes reserved

INT10 H[®] Anemometer

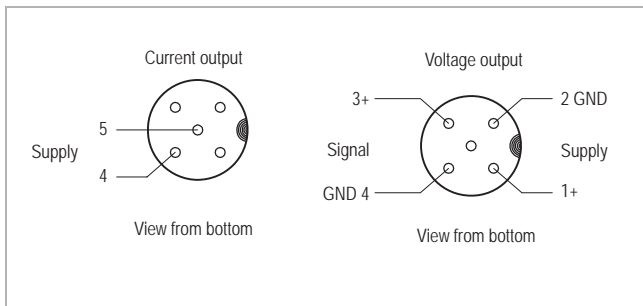
INT10 H[®]



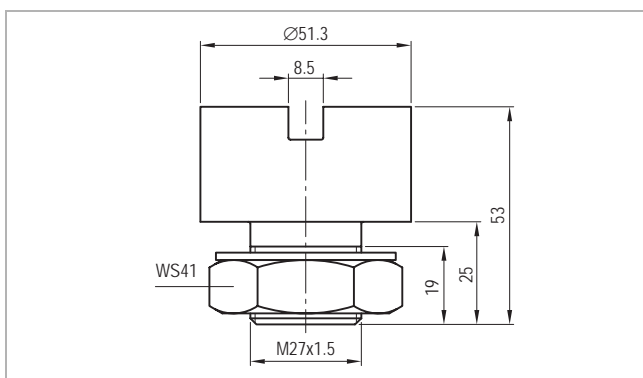
Wiring diagram



Wiring diagram



Pin allotment



Adapter
Dimensions in mm

Technical specifications

Measuring principle	Noncontact, magnetic scanner
Measuring range	See order data
Accuracy	±0.5m/s
Resolution	<0.1m/s
Start-up speed	<0.5m/s ($\theta_U = 20^\circ\text{C}$)
Supply	DC 24V ±25% max. 21mA (output 4-20mA) max. 10mA (output 0-10V) reverse-polarity protection
Signal output	DC 4-20mA limited to 20.5mA resp. DC 0-10V limited to 10.5V (see order data)
Signal availability	Max. 2.5s (from voltage-free state)
Load resistor	≥ 10kOhm (output 0-10V)
Load resistor = cable + load resistor	$R_{\text{Load}} \leq (U_{\text{min.}} - 9)/0.02 [\Omega]$ $U_{\text{min.}} = \text{min. supply voltage}$ (output 4-20mA)
Connection type	Plug M12
Permitted ambient temperature	-20...+70°C Snow and ice free sensor required.
Permitted rel. humidity	0-100% r.h.
Strength	For wind speed of 60m/s (max. 30min)
Protection class acc. to EN 60529	IP54 for intended use sensor mounting
Mounting	Steel tube mast max. $\varnothing_{\text{exterior}}$ 50mm min. $\varnothing_{\text{interior}}$ 37mm
Dimensions	Refer to dimensions in mm
Housing material	Aluminium
Cup anemometer	Aluminium
Corrosion resistance	Seawater-resistant alloy
Weight	Approx. 400g
Check base	EN 61000-6-2 EN 61000-6-3 EN 61010-1
Approval	UL File No. N.N.

Technical changes reserved